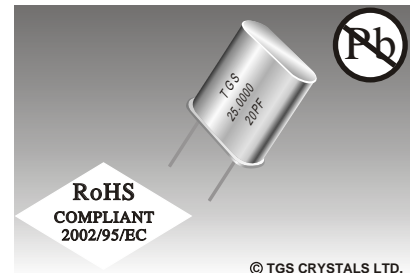


## FEATURES

- Resistance Weld    ● Lead Free available
- Offer Fitted Insulators
- Tight Tolerance and Stability over Temperature

## APPLICATIONS

- Microprocessor Systems    ● Data Communications
- Consumer Electronics    ● Automotive Electronics



© TGS CRYSTALS LTD.

## SPECIFICATION \*

| Parameters   | Product         | Option Code |
|--|-----------------|-------------|
|  | C50U            | C50U        |
| <b>Frequency Range:</b> 20.00~80.00MHz   | △               | Specify     |
| <b>Oscillation Mode:</b><br>AT Fund.(20~25MHz)<br>3rd OT.(25.1~80MHz)  | △               | A           |
|  | △               | C           |
| <b>Frequency Tolerance:</b>  | ±10ppm          | △           |
|  | ±20ppm          | △           |
|  | ±30ppm          | △           |
|  | ±50ppm          | ▲           |
|  | Other Values    | △           |
| <b>Load Capacitance:</b>   | 16pF            | △           |
|  | 18pF            | △           |
|  | 20pF            | ▲           |
|  | 30pF            | △           |
|  | Series Resonant | △           |
| Other Values   | △               | Specify     |
| <b>Frequency Stability:</b>  | ±10ppm          | △           |
|  | ±20ppm          | △           |
|  | ±30ppm          | △           |
|  | ±50ppm          | ▲           |
|  | Other Values    | △           |
| <b>Operating Temp. Range:</b>  | 0°C~+50°C       | △           |
|  | -10°C~+60°C     | ▲           |
|  | -20°C~+70°C     | △           |
|  | -40°C~+85°C     | △           |
|  | Other Values    | △           |
| <b>Storage Temp. Range:</b> -40°C~+85°C  | ▲               |             |
| <b>Equivalent Series Resistance (ESR):</b><br>50 ohm Max.: 20.000 ~ 39.999MHz<br>40 ohm Max.: 40.000 ~ 80.000MHz<br>Other Values | △               | 50          |
|  | △               | 40          |
|  | △               | Specify     |
| <b>Drive Level:</b> 1000 uW Max.   | ▲               |             |
| <b>Shunt Capacitance (C0):</b> 7.0 pF Max.   | ▲               |             |
| <b>Aging:</b> ±5ppm Max.   | ▲               |             |
| <b>Package:</b> Bulk   | △               | B           |
| <b>Other Values:</b> Fitted Insulating Washer<br>Lead Free   | △               | W           |
|  | △               | LF          |

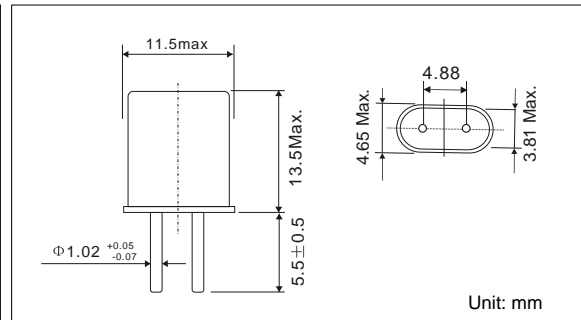
▲ Standard    \* Specifications Subject to Change Without Notice  
△ Optional: please specify required code when inquiring or ordering

## PARTNUMBER GUIDE

|      |                 |     |             |                  |                 |                  |                 |                       |      |         |              |
|------|-----------------|-----|-------------|------------------|-----------------|------------------|-----------------|-----------------------|------|---------|--------------|
| TGS  | C               | 50U | 25M0        | A                | 50              | - 20             | - 50            | -10                   | - 50 | - B     | W            |
| Mark | Quartz Crystals | 50U | Freq. Range | Oscillation Mode | Freq. Tolerance | Load Capacitance | Freq. Stability | Operating Temp. Range | ESR  | Package | Other Values |

e.g. Full P/N.: TGS C 50U 25M0A50-20-50-10-50 B W  
Short P/N.: C 50U 25M0A20 B W (Others is standard Spec.)

## DIMENSIONS



## STANDARD FREQUENCIES

Frequency in MHz

|           |          |          |          |
|-----------|----------|----------|----------|
| 20.00000  | 27.00000 | 32.76800 | 40.50000 |
| 20.48000  | 27.09500 | 33.00000 | 40.68500 |
| 20.94500  | 27.12000 | 33.86880 | 44.56000 |
| 21.48000  | 27.12500 | 34.92200 | 48.00000 |
| 22.11840  | 27.14500 | 35.25120 | 49.86000 |
| 23.04000  | 27.19500 | 35.32800 | 50.00000 |
| 24.00000  | 27.22500 | 36.00000 | 52.41600 |
| 24.00014  | 28.00000 | 36.86400 | 56.44800 |
| 24.57600  | 28.32200 | 40.00000 | 60.00000 |
| 25.00000  | 29.49120 | 40.03500 | 64.00000 |
| 26.601712 | 30.00000 | 40.21000 | 75.00000 |
| 26.94500  | 32.00000 | 40.24000 | 80.00000 |
| 26.99500  | 32.25600 | 40.32000 |          |

## PACKAGE

- Standard package in bulk: 50pcs/bag, 10 bags/inner box, 10 boxes/carton